



**LC200DS1 OSHPD Pre-approved Articulating Wall Mount
for Flat Panel Screens up to 60lbs
with up to 200mm VESA[®] Mounting Patterns**

The LC200DS1 attaches to small and medium size flat screens up to 60lbs with 100mm or 200mm mounting patterns. The pivot point at the wall and projection allow the monitor to be pivoted from left to right for the optimum viewing angle. The mount allows for tilt adjustment both up and down 45°. Wood lag screws and Metal Stud Toggle Bolts are provided for quick and easy installation into a wall with two studs 16" apart.

Features:

Gloss black or silver baked on powder coat finish

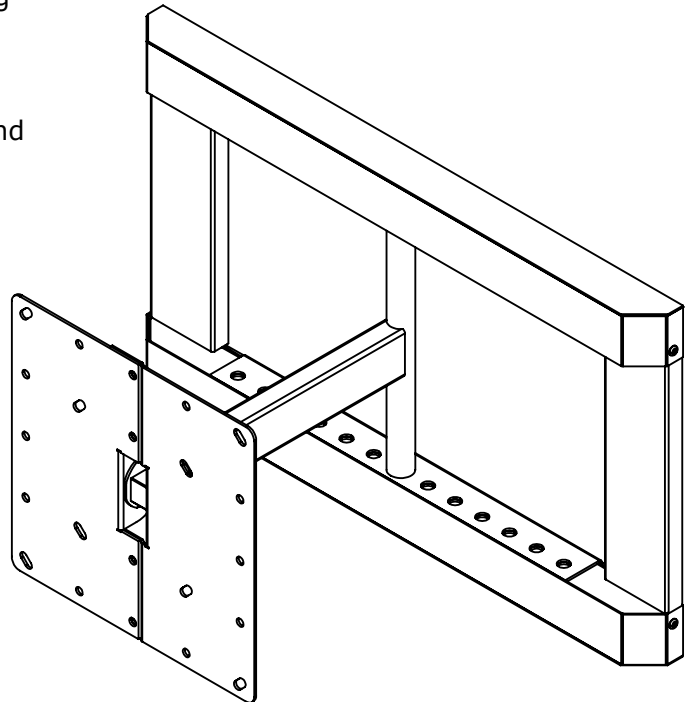
Universal mounting pattern fits 100mm & 200mm VESA compatible monitors

Fits from flat panel monitors up to 60lbs.

Pivots at the wall and behind the monitor for left to right viewing angle adjustment and articulation from the wall

Tilts up and down up to 45°

4mm, 5mm & 6mm monitor attaching hardware screws and studs are included



Maximum Load Limit:

60lbs (27.3kg)

Product Weight:

9.8lbs (4.5kg)

Shipping Weight:

11.2lbs (5.1kg)

Carton Dimensions:

23-3/4"L x 11-1/4"W x 4-1/2"H

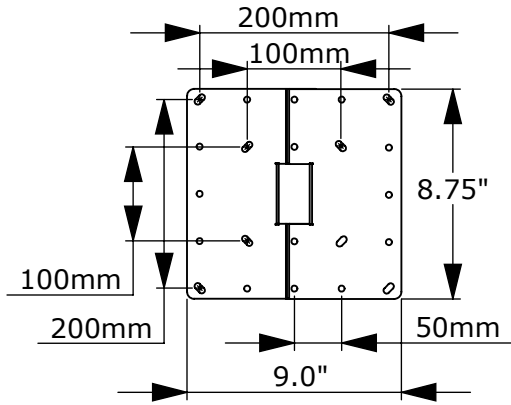
Optional Accessories:

LCAPDVDW - Hanging DVD Mount

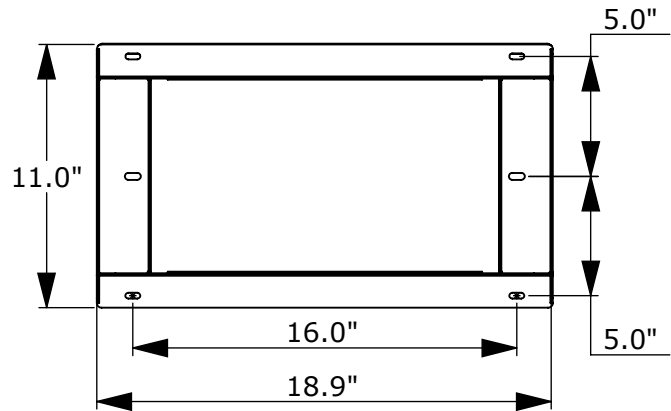
Architectural Specification: The Articulating Wall Mount shall be Lucasey model LC200DS1 and shall be located where indicated on the plans. It shall feature monitor attaching plates included compatible with VESA 100mm and 200mm mounting patterns. Assembly and installation shall be done according to instructions provided by the manufacturer.



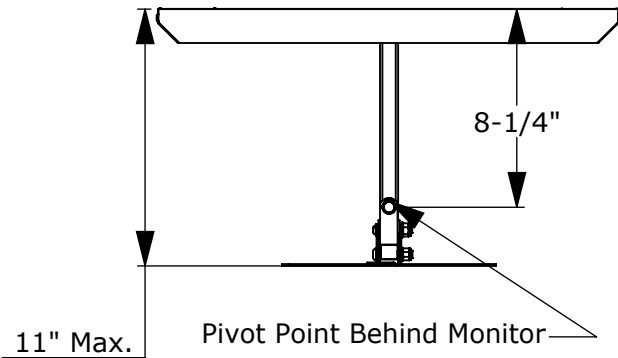
VESA Mounting Plate



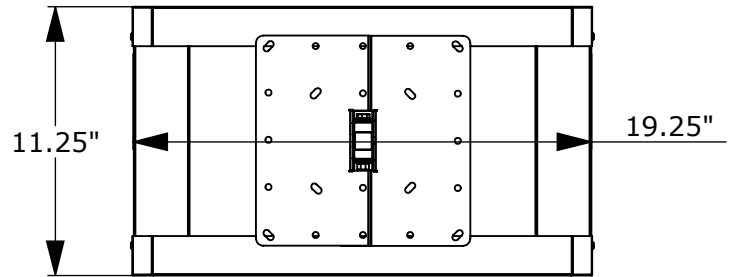
Wall Mounting Plate



Top Views



Front View



Side View

