



**LCDUF**

Furniture Mount for Flat Screens up to 20lbs  
with 75mm or 100mm Mounting Patterns

The LCDUF furniture mount attaches to small flat screens up to 20lbs with 75mm or 100mm mounting patterns. The furniture mount projects 12" from the furniture to the centerline of the monitor. The pivot point behind the monitor and the tilting pivot points can rotate up to 180° or to the maximum range the monitor size will allow. Machine screws and barrel nuts are provided to bolt the mount base through the countertop. Ideal for bathroom LCD applications.

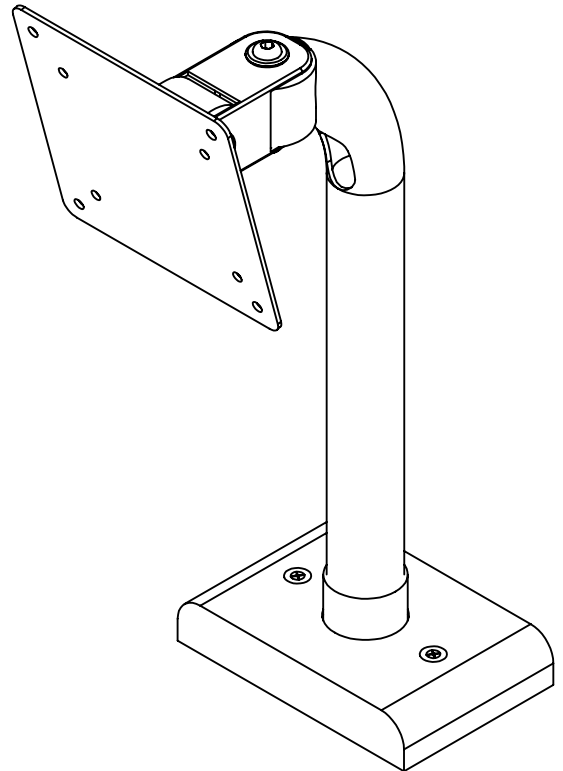
**Features:**

Available in black and silver finishes

Fits flat panel monitors under 20lbs (9.1kg)

Universal mounting pattern fits 75mm x 75mm & 100mm x 100mm VESA compatible monitors

3/4" clearance hole for cords to run through pipe and furniture.



**Maximum Load Limit:**

20lbs (9.1kg)

**Product Weight:**

4.0lbs (1.8kg)

**Shipping Weight:**

4.8lbs (2.2kg)

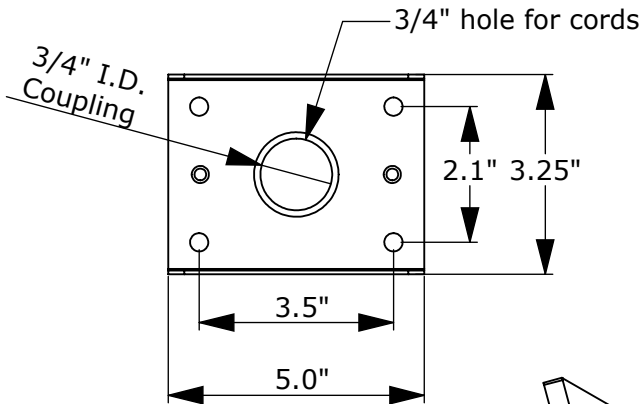
**Carton Dimensions:**

15-1/2"L x 7-1/2"W x 5-1/2"H

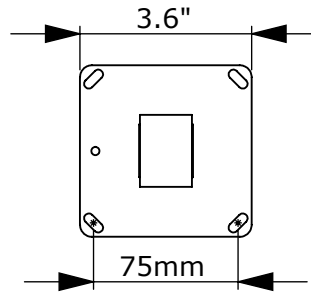
Architectural Specification: The Furniture Mount shall be Lucasey model LCDUF and shall be located where indicated on the plans. It shall feature monitor attaching plates included compatible with VESA 75mm x 75mm and 100mm x 100mm mounting patterns. Assembly and installation shall be done according to instructions provided by the manufacturer.



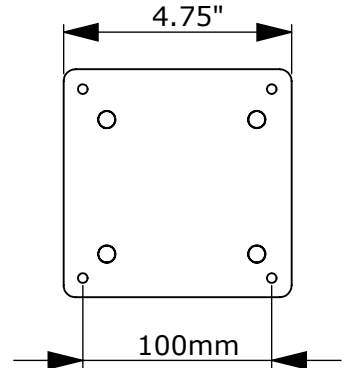
**Base Plate**



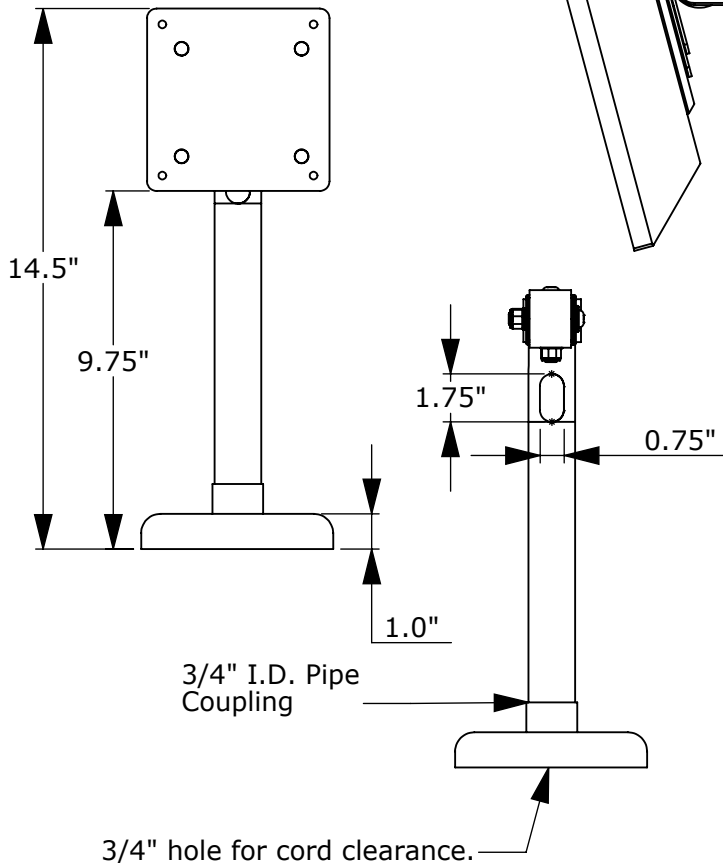
**75mm VESA  
Mounting Plate**



**100mm VESA  
Mounting Plate**



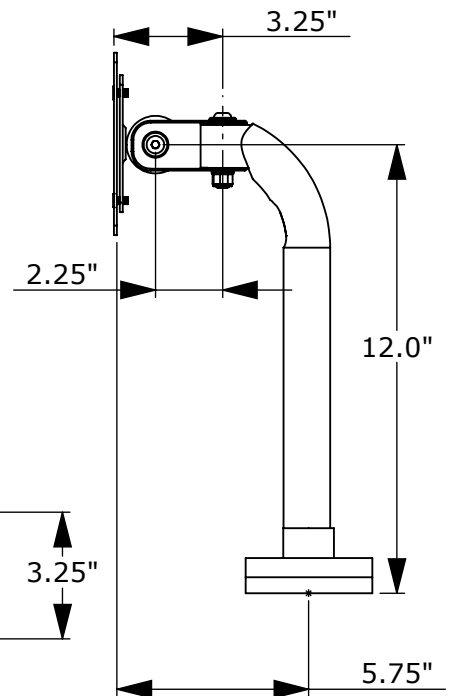
**Front View**



Shown with 20° Tilt  
(Maximum Tilt is limited by  
the monitor size)

Pivot Point allows up to  
180° Rotation

**Side View**



**Top View**

